

## Precision Shear Web Disk

### FEATURES

- Capacities: 2.5, 5, 10, and 25 tons
- Compact size with low profile
- Low deflection for high output
- Electroless nickel-plated alloy tool steel construction
- Off center load compensated
- OIML C3 available for whole series
- **Optional**
  - PSD-SJTT and PSD-SJTH with different loading holes



### APPLICATIONS

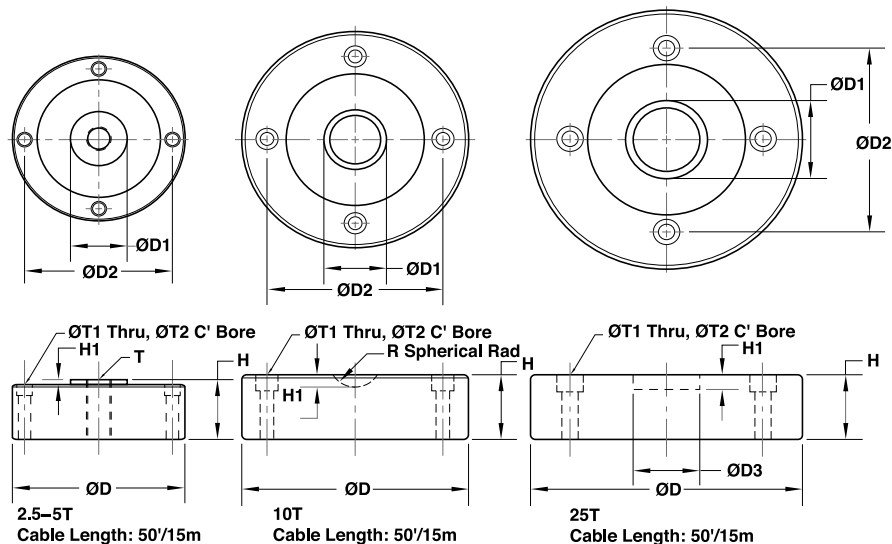
- Testing machines
- Platform scales
- Hopper and vessel weighing
- Truck scales

### DESCRIPTION

A low profile design that makes PSD the most suitable application concerning critical height for safety reasons. The shear web design provides excellent performance

even when side forces are inevitable in normal operations. The typical example for side force resistance is the application in motor truck scales. PSD is constructed of alloy steel and is fully potted with special chemical compounds to IP67 to protect the cell from water and moisture attack.

### OUTLINE DIMENSIONS



**Wiring**

+ Excitation	Red
- Excitation	Black
+ Signal	Green
- Signal	White

CAPACITY		D	D <sub>1</sub>	D <sub>2</sub>	D <sub>3</sub>	H	H <sub>1</sub>	R	T	T <sub>1</sub>	T <sub>2</sub>
2.5T/5T	mm	104.7	32.0	88.9	----	34.8	3.05	----	M16 x 1.5	7.2	10.5 x 7.2DP
	(inch)	4.12	1.26	3.50	----	1.37	0.12	----		0.28	0.41 x 0.28DP
10T	mm	138.0	38.9	106.4	----	41.1	7.62	22.2	----	8.7	13.5 x 9.7DP
	(inch)	5.43	1.53	4.19	----	1.62	0.30	0.87	----	0.34	10.5 x 7.2DP
25T	mm	165.0	50.4	116.8	42.0	41.1	8.0	----	----	10.3	15.9 x 10.2DP
	(inch)	6.50	1.98	4.60	1.65	1.62	0.31	----	----	0.41	0.63 x 0.40DP

## Precision Shear Web Disk

SPECIFICATIONS			
PARAMETER	VALUE		UNIT
NTEP/OIML accuracy class	C3	Non-Approved	
Maximum no. of intervals (n)	3000	1000	
$Y = E_{max}/V_{min}$	8000	5000	Maximum available
Standard capacities ( $E_{max}$ )	2500, 5000, 10000, 25000		kg
Rated output—R.O.	3.0**		mV/V
Rated output tolerance	0.25		±% of rated output
Zero balance	1		±% of rated output
Non-linearity	0.025		±% of rated output
Hysteresis	0.025		±% of rated output
Non-repeatability	0.020		±% of rated output
Creep error (20 minutes)	0.030		±% of rated output
Zero return (20 minutes)	0.030		±% of rated output
Temperature effect on min. dead load output	0.0017	0.0026	±% of rated output/°C
Temperature effect on sensitivity	0.0010	0.0015	±% of applied load/°C
Compensated temperature range	-10 to +40		°C
Operating temperature range	-20 to +60		°C
Safe overload	150		% of R.C.
Ultimate overload	300		% of R.C.
Excitation, recommended	10		VDC or VAC RMS
Excitation, maximum	15		VDC or VAC RMS
Input impedance	385±5		Ω
Output impedance	350±3		Ω
Insulation resistance	>5000		MΩ
Construction	Nickel-plated alloy steel*		
Environmental protection	IP67		

All specifications subject to change without notice.